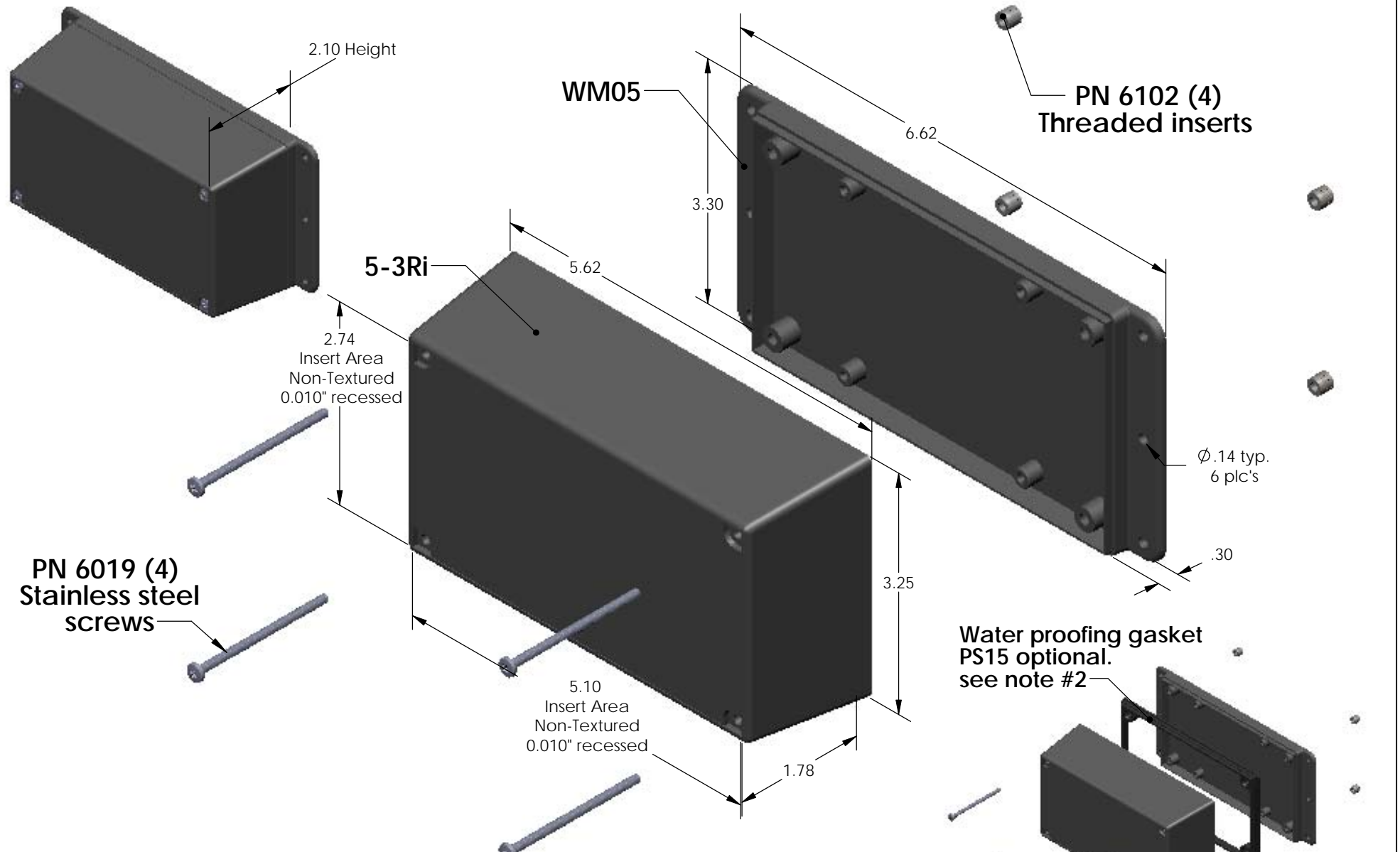


SERPAC WM053Ri (exploded isometric)

Electronic Enclosures



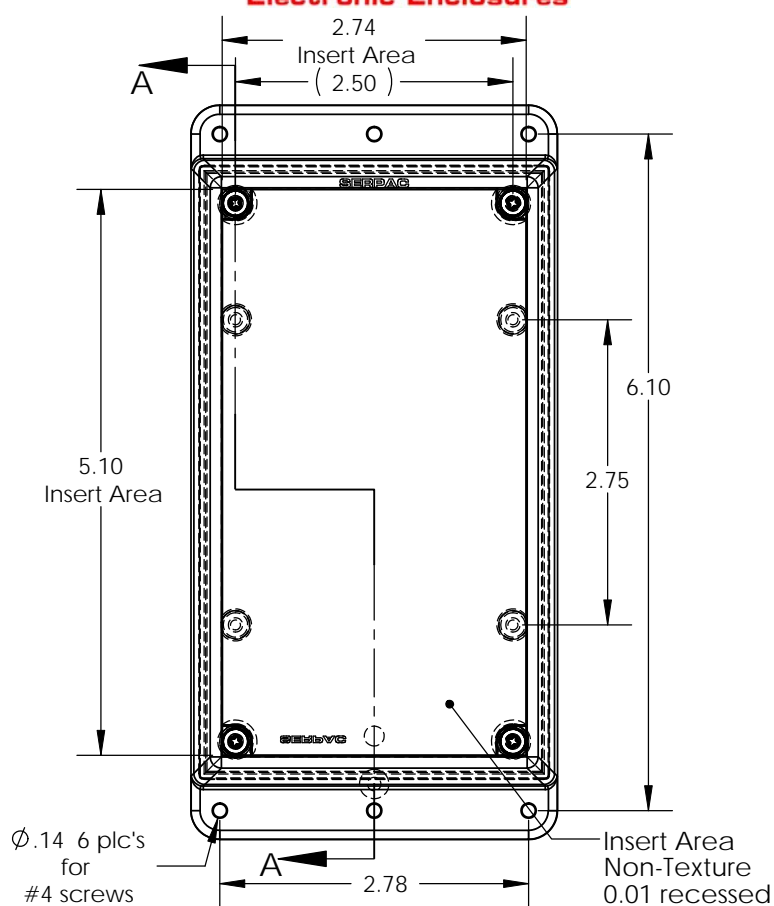
PART NO.	DESCRIPTION (Included)	ACCESSORIES (Optional)	
		PART NO.	DESCRIPTION
5-3Ri	TOP	50	Non-skid Feet
WM05	BOTTOM	PS15	Perimeter Seal
6019	4-40 SCREW (4)		
6102	THREADED INSERTS (4)		

Notes:
 1) Enclosure meets or exceeds IP40 and NEMA 1
 2) When used with PS15 the enclosure meets or exceeds IP 67 and NEMA 4X, 12 and 13 MIL-STD-810G 506.5
 3) Circuit Board drawings can be download at:
http://www.serpac.com/Products/Sseries/x5x/drawings/X53_top-CB.pdf
 4) All components are RoHS Compliant.

ALL DIMENSIONS ARE ± .010" 4/22/10 (1 of 2)
 619 Commercial Ave. Covina, CA 91723
 Ph. (626) 331-0517 Fx. (626) 331-8584 serpac.com

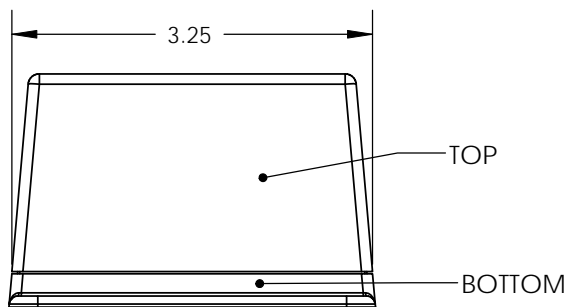
SERPAC WM053Ri (user print)

Electronic Enclosures



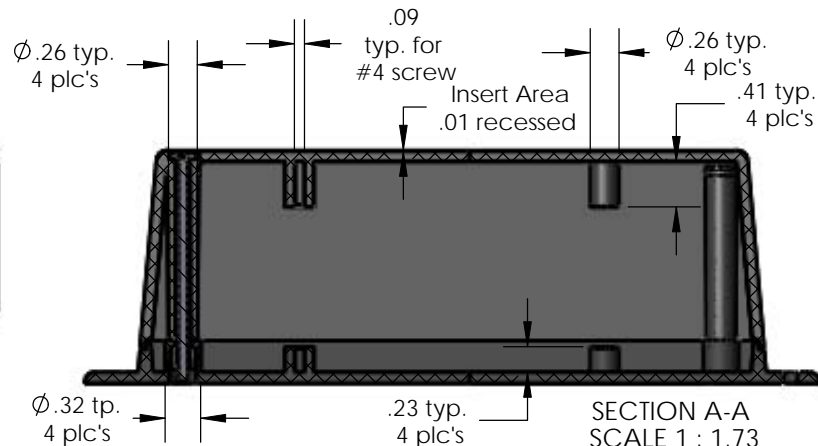
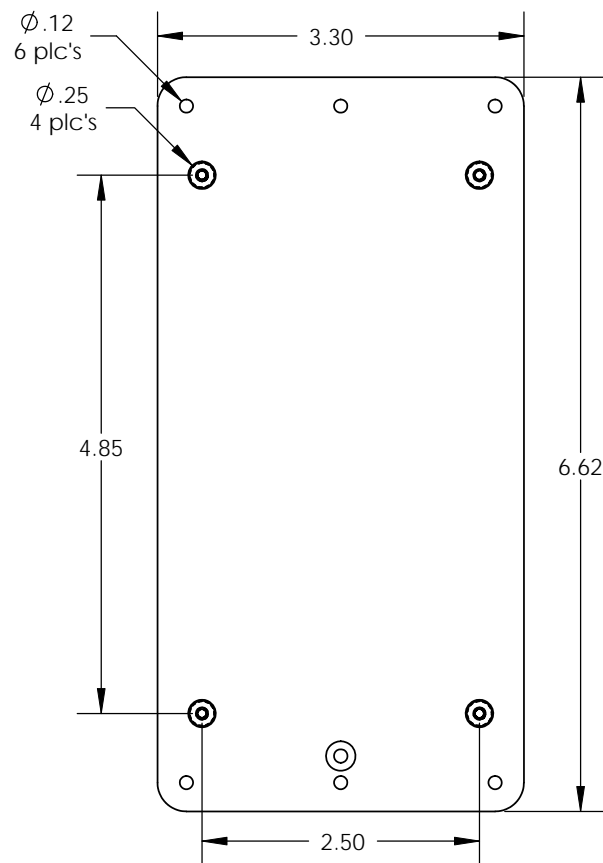
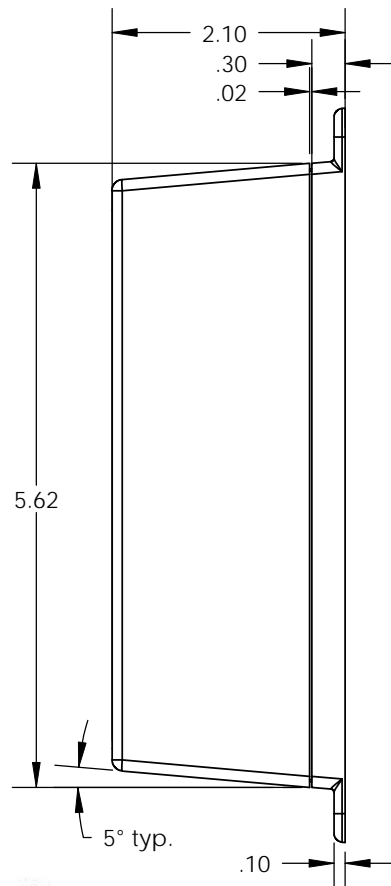
$\phi .14$ 6 plc's for #4 screws

Insert Area Non-Texture 0.01 recessed



TOP

BOTTOM



SECTION A-A
SCALE 1 : 1.73

PART NO.	DESCRIPTION (Included)	ACCESSORIES (Optional)	
5-3Ri	TOP	PART NO.	DESCRIPTION
WM05	BOTTOM	50	Non-skid Feet
6019	4-40 SCREW (4)	PS15	Perimeter Seal
6102	THREADED INSERTS (4)		

Notes:

- 1) Enclosure meets or exceeds IP40 and NEMA 1
- 2) When used with PS15 the enclosure meets or exceeds IP 67 and NEMA 4X, 12 and 13 MIL-STD-810G 506.5
- 3) Circuit Board drawings can be download at:
http://www.serpac.com/Products/Sseries/x5x/drawings/X53_top-CB.pdf
- 4) All components are RoHS Compliant.

ALL DIMENSIONS ARE $\pm .010"$ 4/22/10 (2 of 2)
619 Commercial Ave. Covina, CA 91723

Ph. (626) 331-0517 Fx. (626) 331-8584 www.serpac.com