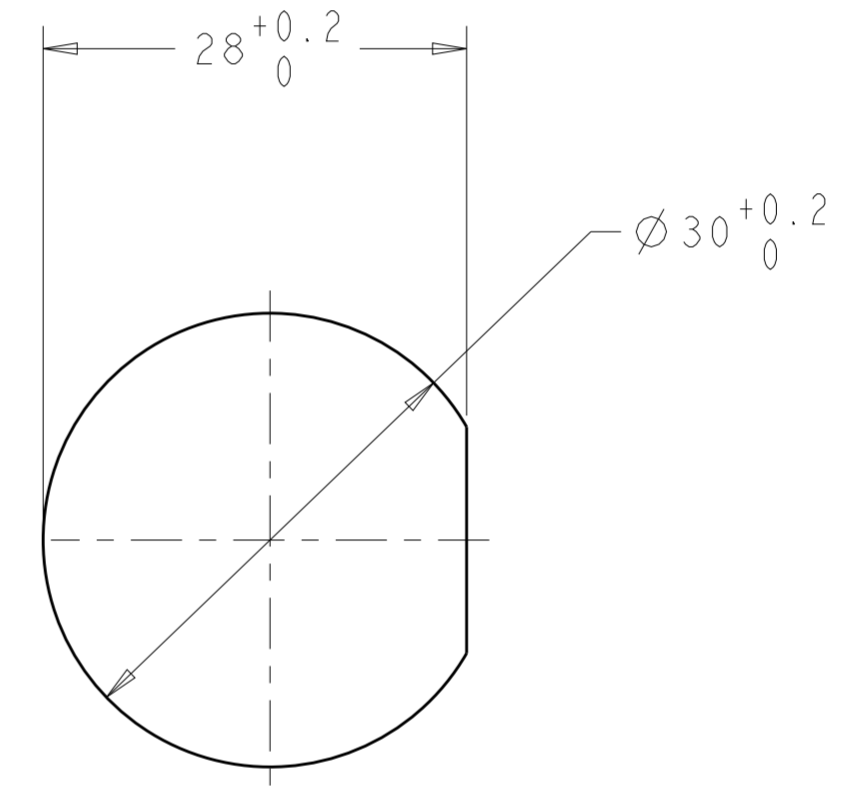
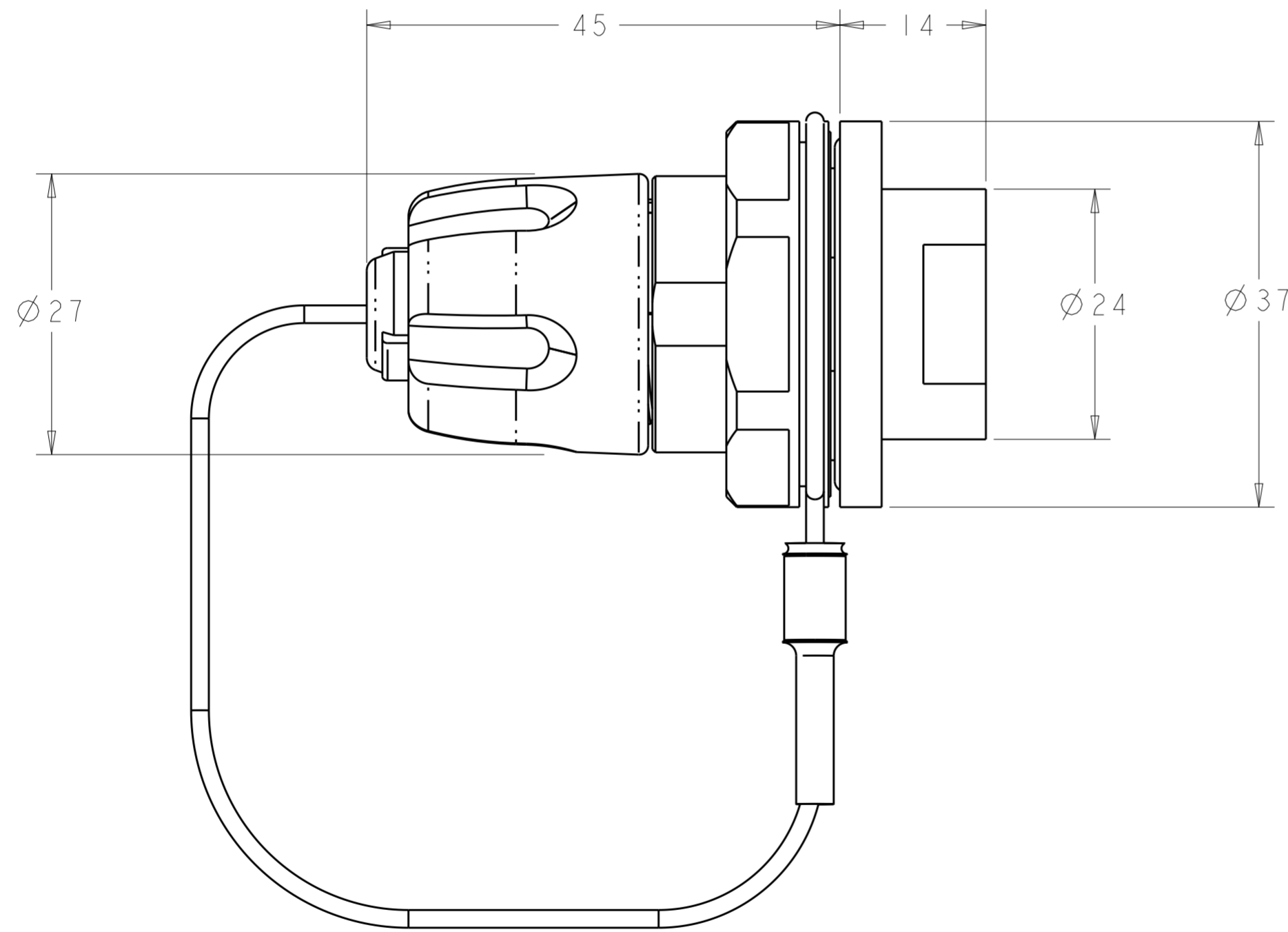


THIS DRAWING IS UNPUBLISHED. RELEASED FOR PUBLICATION 20  
 © COPYRIGHT 20 BY - ALL RIGHTS RESERVED.

LOC	DIST	REVISIONS					
CE	-	P	LTR	DESCRIPTION	DATE	DWN	APVD
			AI	ECR-10-006880	16OCT2012	KG	DW

1. ASSEMBLY SHOWN FOR REFERENCE ONLY. SHIPPED LOOSE PIECE AS SHOWN ON PAGE 2.
2. ALL ASSEMBLY DIMENSIONS ARE FOR REFERENCE ONLY.
3. PANEL SHOULD BE BETWEEN 1mm AND 4mm THICKNESS.
4. THIS PRODUCT HAS NOT COMPLETED VALIDATION TESTING.
5. COMPLETE THE CONNECTOR ASSEMBLY BY ADDING EACH OF THE FOLLOWING PRO BEAM JR KITS:
  - A. EXPANDED BEAM INSERT ASSEMBLY KIT
  - B. FERRULE KIT, ONE PER FIBER



3 RECOMMENDED PANEL CUT-OUT

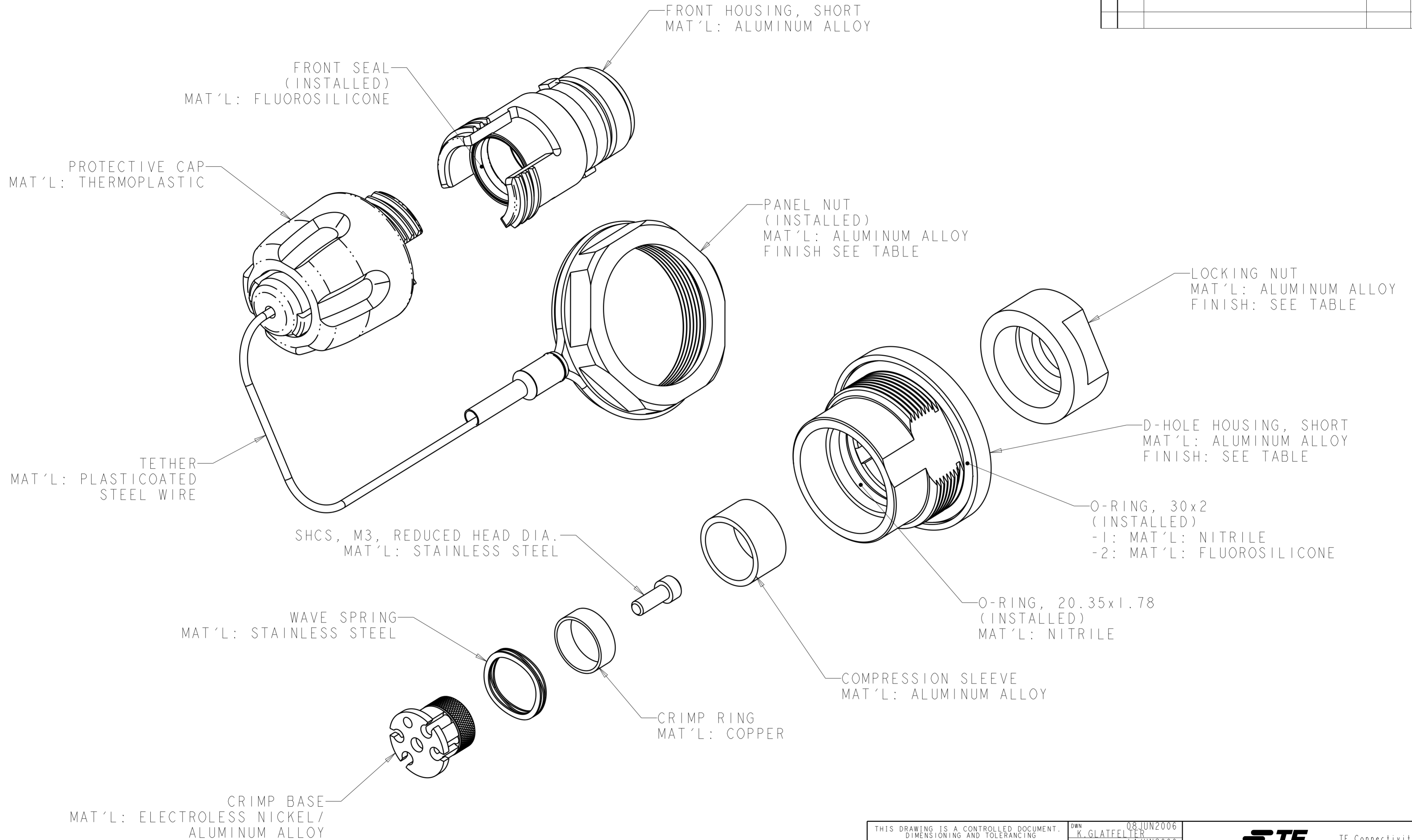
BLACK Zn-Ni	6828413-2
HARD ANODIZE	6828413-1
FINISH	PART NUMBER

THIS DRAWING IS A CONTROLLED DOCUMENT. DIMENSIONING AND TOLERANCING PER ASME Y14.5M-2009		DWN K. GLATFELTER 08 JUN 2006	TE Connectivity	
DIMENSIONS: mm		CHK D. WERTMAN 14 JUN 2006		
TOLERANCES UNLESS OTHERWISE SPECIFIED:		APVD D. WERTMAN 14 JUN 2006	NAME CONNECTOR SHELL KIT, PRO BEAM JR. D-HOLE LP BULKHEAD, 2.1mm	
0 PLC ±	1 PLC ±	PRODUCT SPEC	SIZE CAGE CODE DRAWING NO RESTRICTED TO	
2 PLC ±	3 PLC ±	APPLICATION SPEC	A200779 C-6828413	
4 PLC ±	ANGLES ±	WEIGHT	SCALE 2:1 SHEET 1 OF 2 REV AI	
MATERIAL	FINISH	Customer Drawing		
	SEE TABLE			

THIS DRAWING IS UNPUBLISHED. RELEASED FOR PUBLICATION 20  
 © COPYRIGHT 20 BY - ALL RIGHTS RESERVED.

LOC	DIST	REVISIONS					
CE	-	P	LTR	DESCRIPTION	DATE	DWN	APVD
		-		SEE SHEET 1	-	-	-

1. SHIPPED LOOSE PIECE AS SHOWN.



THIS DRAWING IS A CONTROLLED DOCUMENT. DIMENSIONING AND TOLERANCING PER ASME Y14.5M-2009		DWN K. GLATFELTER 08 JUN 2006	TE Connectivity															
DIMENSIONS: mm		CHK D. WERTMAN 14 JUN 2006																
TOLERANCES UNLESS OTHERWISE SPECIFIED:		APVD D. WERTMAN 14 JUN 2006	NAME CONNECTOR SHELL KIT, PRO BEAM JR. D-HOLE LP BULKHEAD, 2.1mm															
<table border="1"> <tr><td>0 PLC</td><td>±</td></tr> <tr><td>1 PLC</td><td>±</td></tr> <tr><td>2 PLC</td><td>±</td></tr> <tr><td>3 PLC</td><td>±</td></tr> <tr><td>4 PLC</td><td>±</td></tr> <tr><td>ANGLES</td><td>±</td></tr> <tr><td>FINISH</td><td></td></tr> </table>		0 PLC	±	1 PLC	±	2 PLC	±	3 PLC	±	4 PLC	±	ANGLES	±	FINISH		PRODUCT SPEC	SIZE A200779	
0 PLC	±																	
1 PLC	±																	
2 PLC	±																	
3 PLC	±																	
4 PLC	±																	
ANGLES	±																	
FINISH																		
MATERIAL AS LISTED		APPLICATION SPEC	CAGE CODE C-6828413															
SEE TABLE SHEET 1		WEIGHT	DRAWING NO -6828413															
		Customer Drawing	RESTRICTED TO															
		SCALE 2:1	SHEET 2 OF 2															
			REV A1															