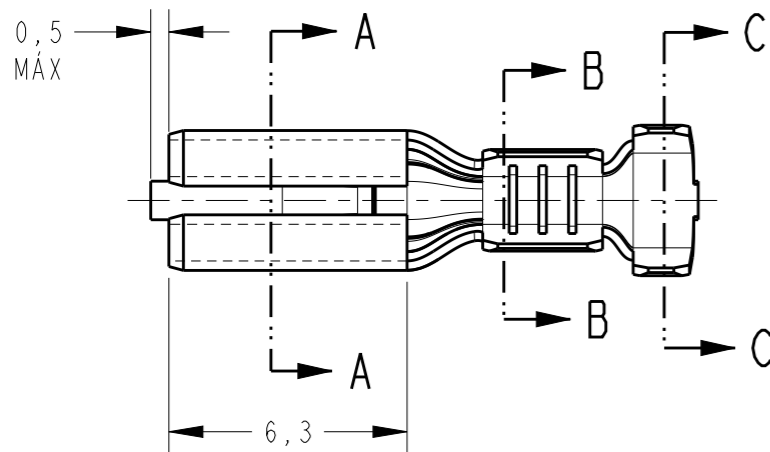


LOC AP DIST -

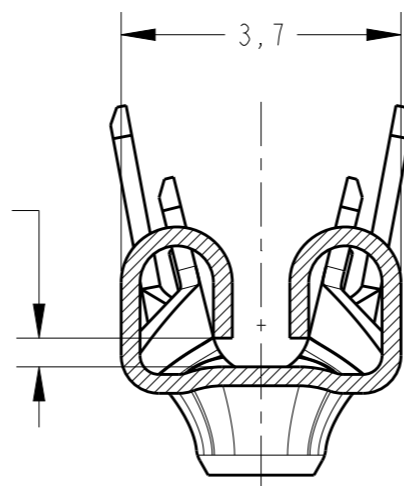
REVISIONS

P	LTR	DESCRIPTION	DATE	DWN	APVD
D2		REDRAW BY CAD ECO-12-018945	07NOV2012	NCL	BR
D3		REVISED DRAWING ECO-14-014227	22SEP2014	NCL	MG
D4		REVISED BY ECO 16-003723	29JUN2016	HC	WLS

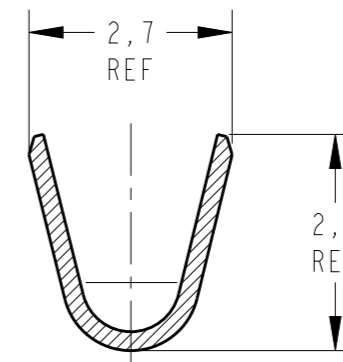
**creo**  
 Creo Parametric 2.0  
**DO NOT REVISE EXCEPT BY CAD**



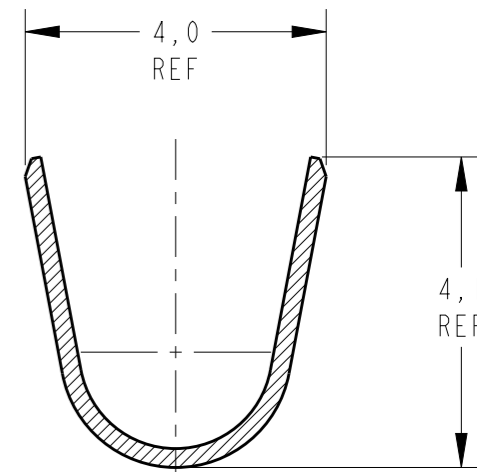
ESPESSURA DO TAB CONFORME TABELA



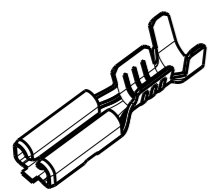
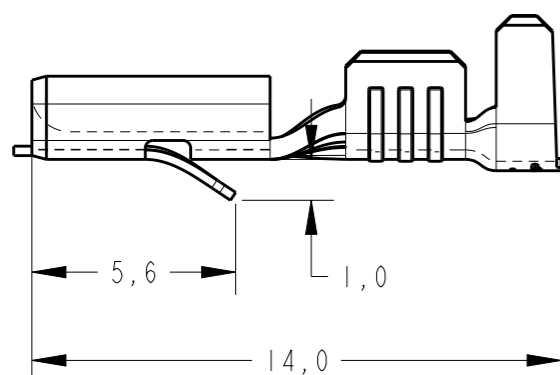
SECTION A-A  
SCALE 10:1



SECTION B-B  
SCALE 10:1



SECTION C-C  
SCALE 10:1



PERSPECTIVE VIEW  
SCALE 2:1

<b>OBSOLETE</b>		0,45mm	PRE ESTANHADO / PRE-TIN	LATÃO / BRASS	881507 - 8
<b>OBSOLETE</b>		0,7mm		LATÃO / BRASS	881507 - 7
<b>OBSOLETE</b>	0,5mm		PRE ESTANHADO / PRE-TIN	BRONZE FOSF / PHOS BRONZE	881507 - 6
	0,5mm	—	PRE ESTANHADO / PRE-TIN	LATÃO / BRASS	881507 - 5
<b>OBSOLETE</b>				BRONZE FOSF / PHOS BRONZE	881507 - 3
<b>OBSOLETE</b>		0,45mm	ESTANHADO / ELETRO-TIN	LATÃO / BRASS	881507 - 2
	0,5mm	—	—	LATÃO / BRASS	881507 - 1
	ESPESSURA TAB	GAP SIZE	FINISH	MATERIAL	PART NUMBER

THIS DRAWING IS A CONTROLLED DOCUMENT.

DWN 07NOV2012 NCLAPRESA

CHK 07NOV2012 JRGOLDCHMIDT

APVD 07NOV2012 BRIGHETO



DIMENSIONS:

mm

TOLERANCES UNLESS OTHERWISE SPECIFIED:

- 0 PLC ±-
- 1 PLC ±0,5
- 2 PLC ±-
- 3 PLC ±-
- 4 PLC ±-
- ANGLES ±°
- FINISH

MATERIAL SEE TABLE

FINISH SEE TABLE

07NOV2012

07NOV2012

07NOV2012

PRODUCT SPEC

APPLICATION SPEC

WEIGHT -

NAME RECEPTACLE .110 SERIES FASTIN-FASTON

SIZE A3 CAGE CODE 00779 DRAWING NO C-881507 RESTRICTED TO -

Customer Drawing

SCALE 5:1

SHEET 1 OF 1

REV D4

2,03-3,05	0,5-1,5 mm <sup>2</sup>
INS. RANGE	WIRE RANGE