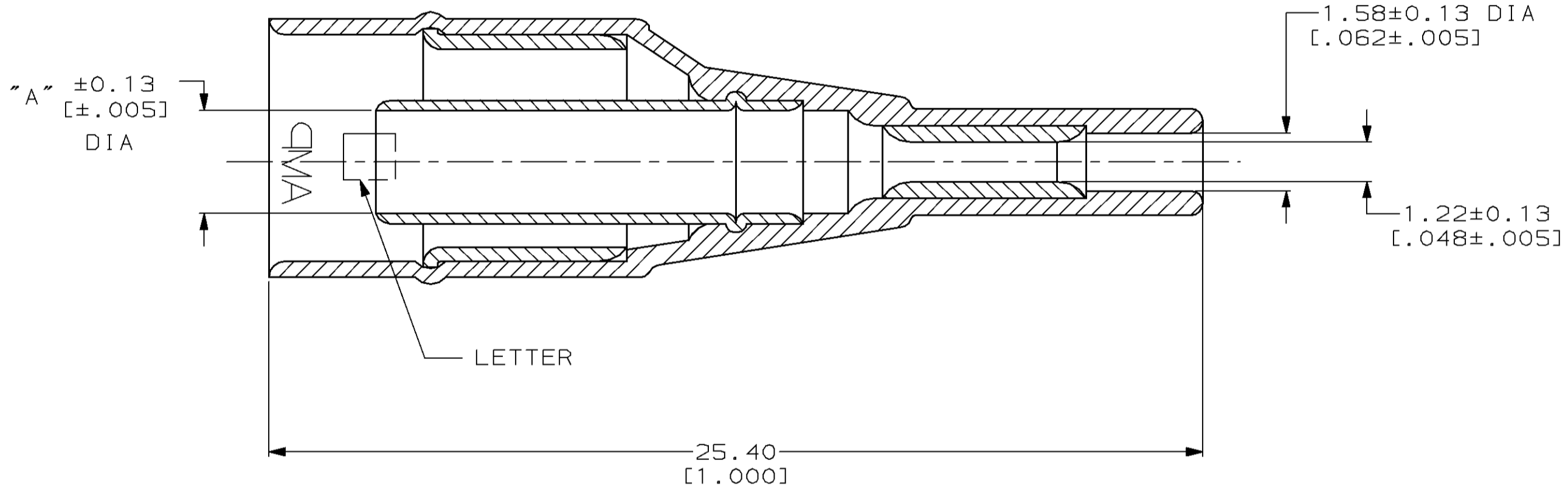
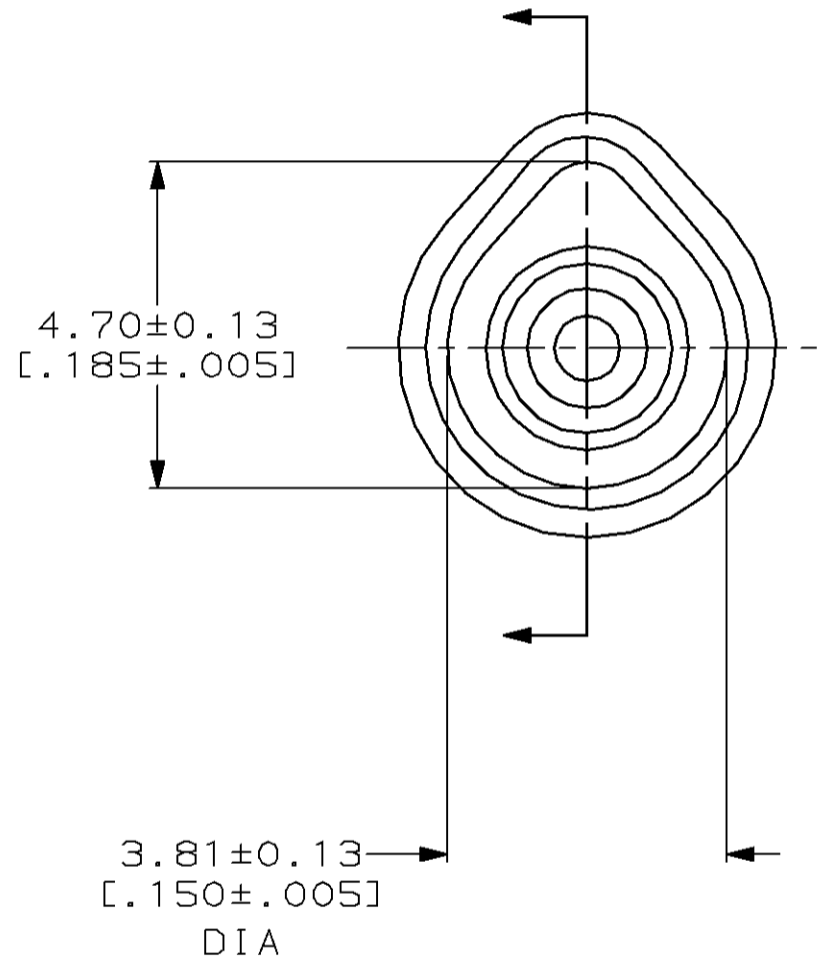


Loc	DIST	P	F	ZONE	LTR	DESCRIPTION	DATE	APPD
AJ	16				H	REDWN & REV PER AJ-6056	02/05/93	JPD
		✓	✓		J	REV PER 0220-0149-93	20/DEC/93	BMW
					K	OBSOLETED 1-329413-0 PER 0220-0369-96	6-14-96	JG

- ① MATERIAL:  
 INNER FERRULE: BRASS PER MIL-C-50  
 OUTER FERRULE: COPPER PER QQ-C-576  
 SPLICE FERRULE: COPPER PER QQ-C-576  
 MOLDING: NYLON (COLOR: VIOLET)
- ② FINISH  
 INNER FERRULE: TIN PL PER MIL-T-10727  
 OUTER FERRULE: TIN PL PER MIL-T-10727  
 SPLICE FERRULE: TIN PL PER MIL-T-10727
- ③ MATERIAL:  
 INNER FERRULE: BRASS PER MIL-C-50  
 OUTER FERRULE: COPPER PER QQ-C-576  
 SPLICE FERRULE: COPPER PER QQ-C-576  
 MOLDING: NYLON (COLOR: BLUE)



OBSOLETE	③	.029 OZ	F	2.03[.080]	1.65-2.03[.065-.080]	1-329413-0
	①	.030 OZ	A	1.78[.070]	1.14-1.65[.045-.065]	329413
		WEIGHT	LETTER	"A" DIM	PRIMARY INSULATION DIA RANGE	PART NUMBER

DO NOT SCALE PRINT. UNLESS SPECIFIED DIMENSIONS IN mm [INCHES] TOLERANCES ON : 2 PLC DEC ± 0.20[.008] 3 PLC DEC ± - ANGLES ± -		DR 02/05/93 J.DAVIS		AMP Incorporated Harrisburg, PA 17105-3608	
MATERIAL		CHK 02/05/93 G.MICHAEL			
FINISH		APPD 02/05/93 G.MICHAEL		NAME	
①/③		APPD 02/05/93 J.DAVIS		CONN, COAX, RF TERMASHIELD PRE INSULATED	
②		PRODUCT SPEC		SIZE	CAGE CODE
		APPLICATION SPEC		③	00779
		WEIGHT SEE TABLE		DRAWING NO	③=329413
				SCALE	NTS
				SHEET	1 OF 1

THIS DRAWING IS A CONTROLLED DOCUMENT FOR AMP INCORPORATED. IT IS SUBJECT TO CHANGE AND THE CONTROLLING ENGINEERING ORGANIZATION SHOULD BE CONTACTED FOR THE LATEST REVISION.