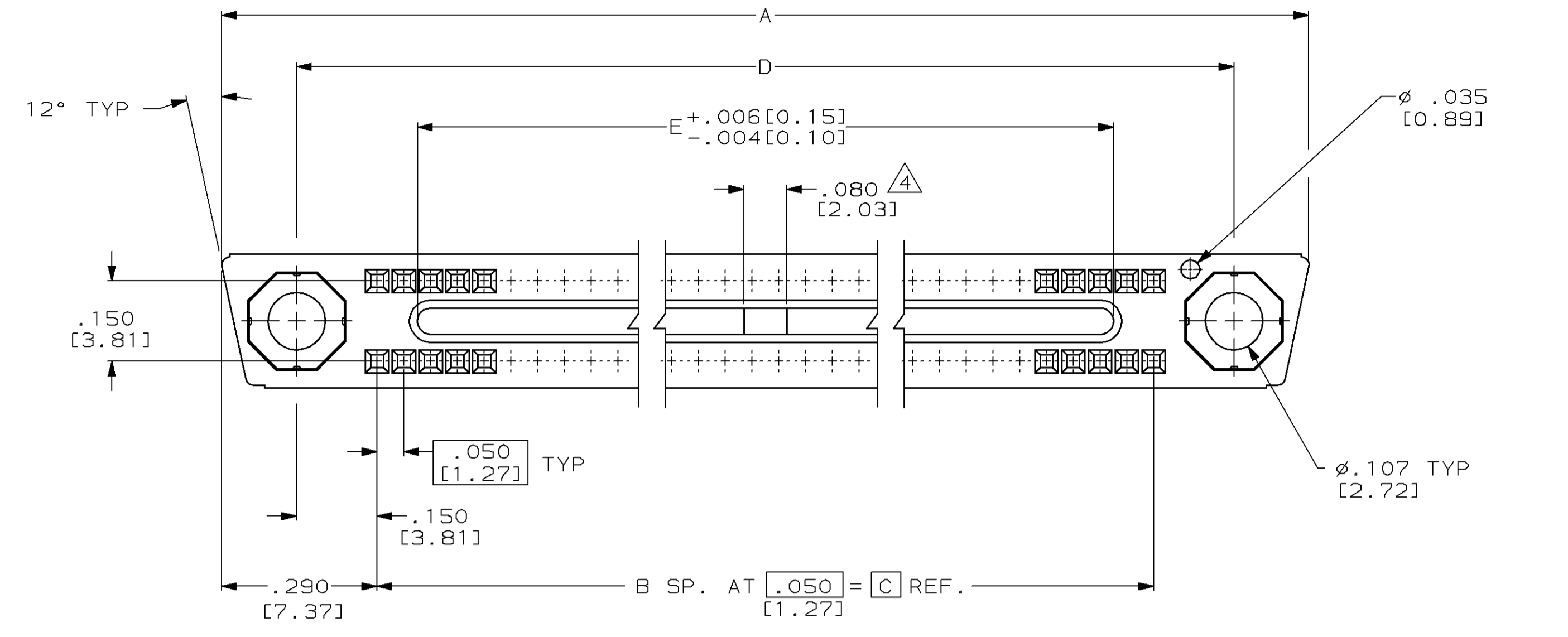
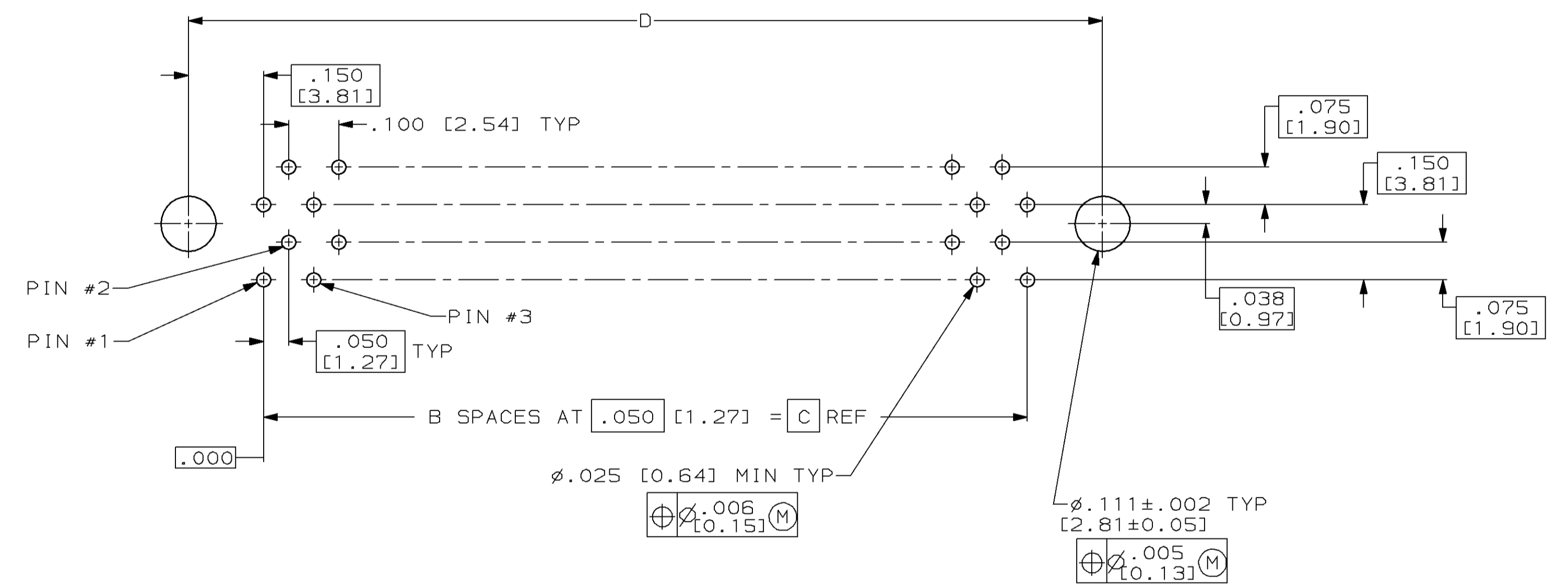
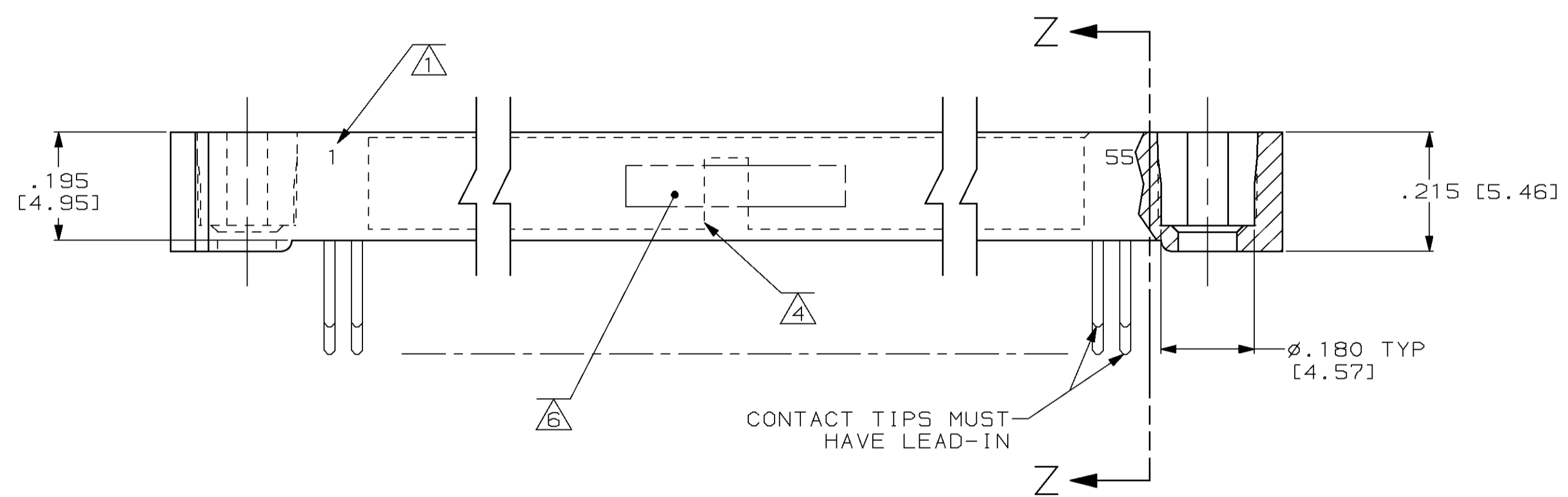


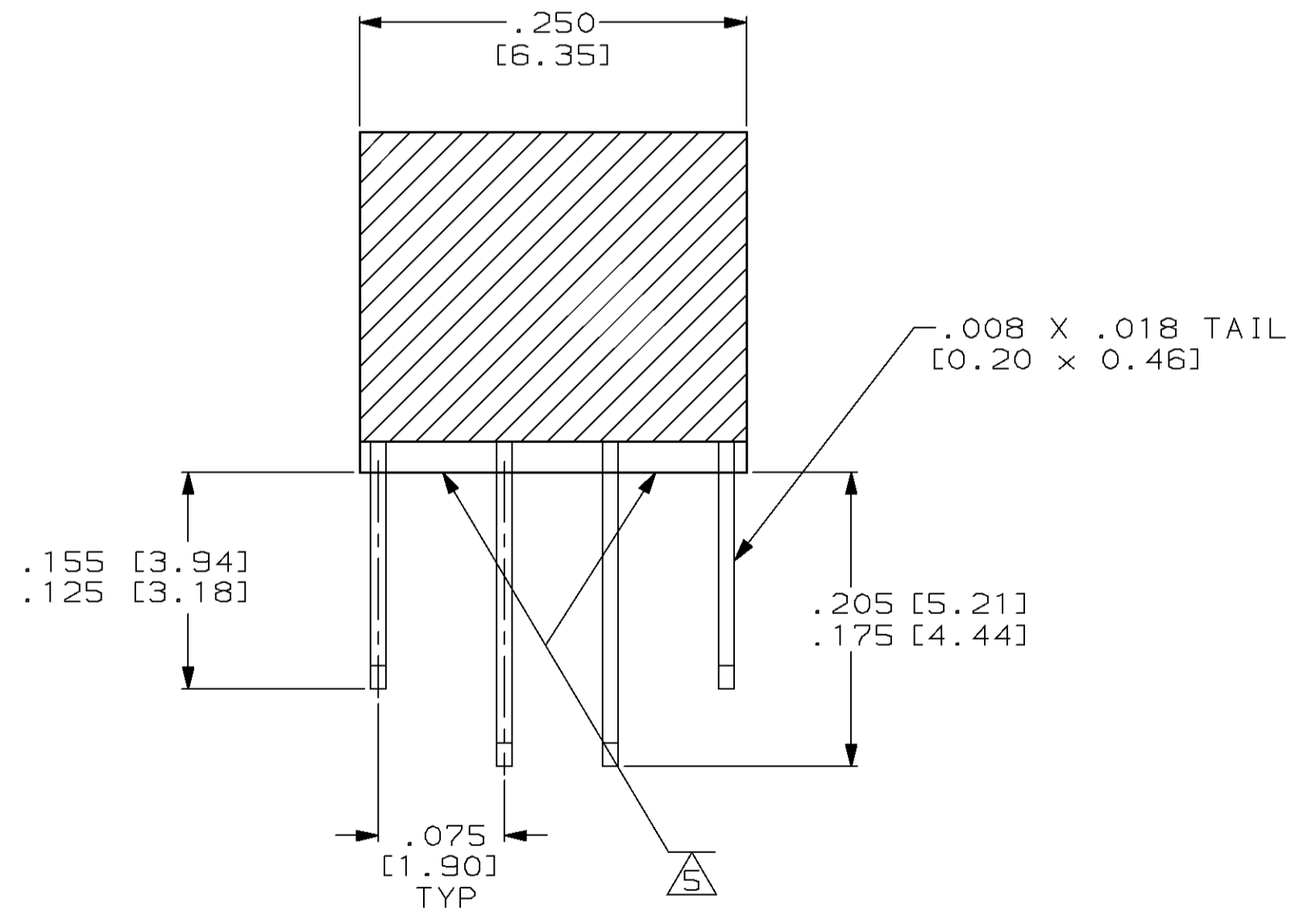
REVISIONS						
LOC	Q1ST	P	F	ZONE	LTR	DESCRIPTION
DF	F0				D	RELEASED -6 PER 0600-6974-97 CT
						DATE 12-97
						APPD DG



- 1. NUMBERS INDICATING END POSITIONS MARKED THIS SIDE ONLY.
- 2. MEETS ALL APPLICABLE REQUIREMENTS OF MIL-C-55302.
- 3. HOUSING MATERIAL: LIQUID CRYSTAL POLYMER PER MIL-M-24519, GLCP-30F; COLOR: GRAY.
- 4. BRIDGE IN GROOVE N/A FOR 50 POSITION OR SMALLER CONNECTOR.
- 5. EPOXY IS ADDED TO BOTTOM OF HOUSING FOR SEALING & INCREASED CONTACT RETENTION.
- 6. AMP, AMP PART NO., CUSTOMER MARKING AND DATE CODE MARKED IN THIS APPROXIMATE AREA.



RECOMMENDED P.C. BOARD HOLE PATTERN  
 (CONNECTOR SIDE)



SECTION Z-Z  
 SCALE 10:1

REMARKS	CUSTOMER MARKING	CAVITY ID	DIM E	DIM D	DIM C	B	DIM A	POSN.	PART NO
	990430-6 07148	1 - 30	1.300 [33.02]	1.750 [44.45]	1.450 [36.83]	29	2.040 [51.82]	60	443935-6
	990430-4 07148	1 - 55	2.550 [64.77]	3.000 [76.20]	2.700 [68.58]	54	3.290 [83.57]	110	443935-5
	990430-5 07148	1 - 50	2.300 [58.42]	2.750 [69.85]	2.450 [62.23]	49	3.040 [77.22]	100	443935-4
	990430-1 07148	1 - 20	.800 [20.32]	1.250 [31.75]	.950 [24.13]	19	1.540 [39.12]	40	443935-3
	990430-3 07148	1 - 40	1.800 [45.72]	2.250 [57.15]	1.950 [49.53]	39	2.540 [64.52]	80	443935-2
	990430-2 07148	1 - 25	1.050 [26.67]	1.500 [38.10]	1.200 [30.48]	24	1.790 [45.47]	50	443935-1

DO NOT SCALE PRINT. UNLESS SPECIFIED DIMENSIONS IN INCHES TOLERANCES ON:  
 2 PLC DEC ± .005 [0.13]  
 3 PLC DEC ± .005 [0.13]  
 ANGLES ± 0°30'

DR 2-25-97 C.C. THOMAS  
 CHK 2-26-97 D. GUTTER  
 APPD 2-26-97 D. GUTTER  
 RLSE 2-26-97 C.C. THOMAS

AMP INCORPORATED  
 Harrisburg, Pa. 17105

NAME  
 RECEPTACLE ASS'Y, MINI-BOX  
 WITH LOW FORCE CONTACTS

FINISH .000050 GOLD IN CONTACT AREA, TIN-LEAD ON TAILS  
 MATERIAL HOUSING: 3

APPLICATION SPEC -  
 WEIGHT -

SIZE D 00779  
 SCALE 5:1

DRAWING NO 443935  
 SHEET 1 OF 1